

*Fast Fit* Tapping Saddles



*Best Installed Value*

SECTION TWELVE

TECHNICAL SPECIFICATIONS



## *Fast Fit* Tapping Saddle Features and Benefits



### **SPIGOT**

The spigot helps locate and secure the Hansen Tapping Saddle onto the pipe, reducing loss of seal if the pipe or saddle move under load.



### **HINGE**

The ability to open past 180° degrees makes it an excellent choice for tight spots. The hinge stays connected for a fast, easy one piece installation.



### **BOLTS**

Only one bolt required which is fixed to the body ensuring no lost parts and the common Stainless Steel M8 bolt on all sizes means only one tool is required for installation - a major time saver. Larger sizes can have up to three bolts if preferred.



### **CUSTOM SEAL**

The patented Fast-Fit Indicator Multi Seal has small spigots on the internal seal that are visible from the outside which help locate it correctly and removes any second guessing if the seal has been installed or not.



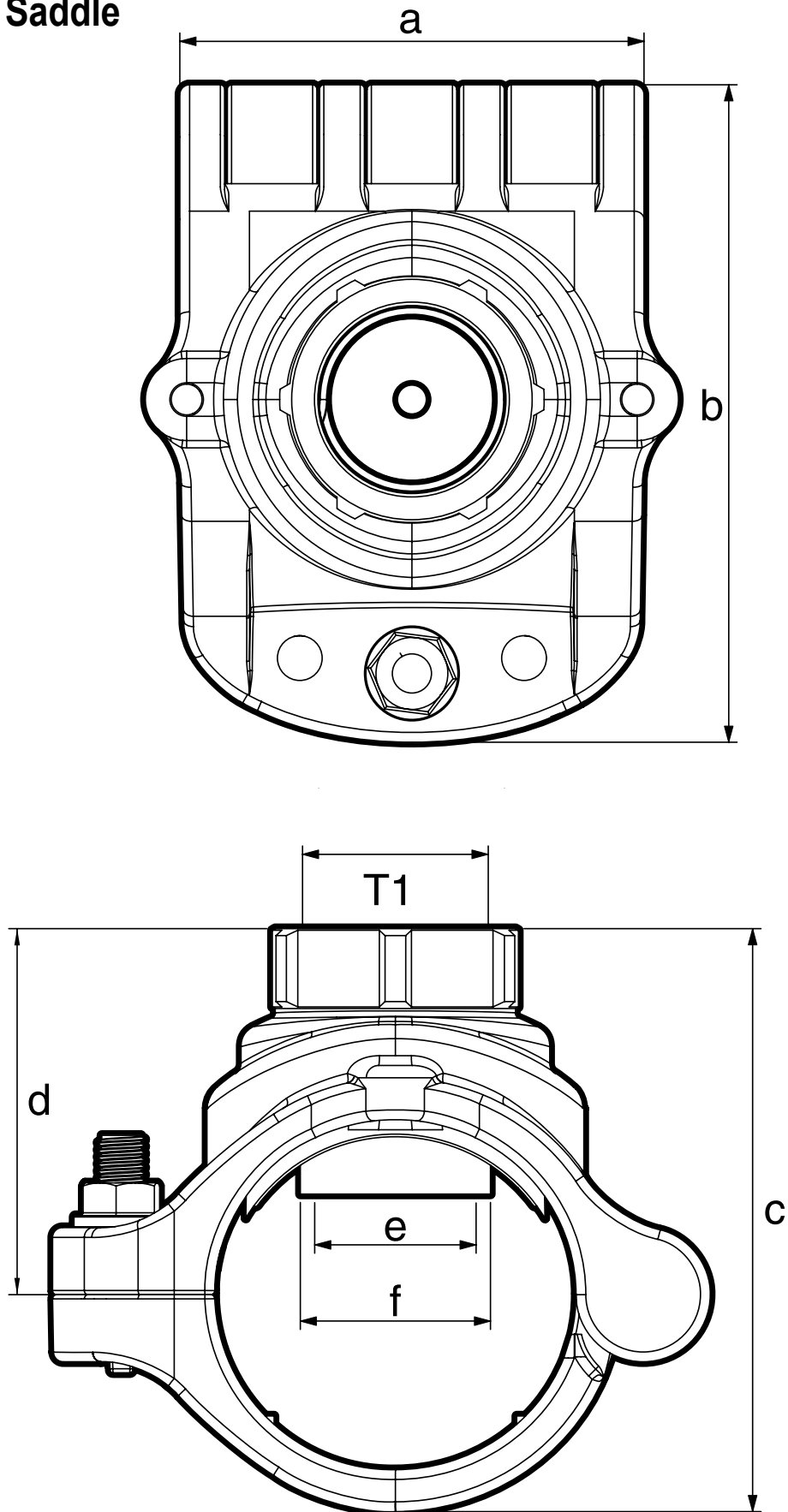
### **PILOT HOLE**

A pilot hole located at the base of each saddle makes installation easy.

- The spigot guarantees correct placement onto the pipe and security of seal
- The hinge opens past 180° allowing fast and easy installation in any situation
- The hinge allows the saddle to remain as one piece which prevents loss of parts
- The custom seal with spigots guarantees correct seal placement, a visible check of correct installation
- The bolt fixed to the body ensuring quick, easy installation and no lost parts with extra bolt holes on the larger sized saddles for peace of mind
- M8 Stainless Steel bolt on all sizes means only one tool required
- The pilot hole in the base ensures correct hole placement
- Compact design, manufactured from strong, non-corrosive UV stabilised materials for a long life
- Packaging has all the information required for ease of purchase i.e. pipe size & type, thread DN, hole saw size etc

*Fast-Fit* Tapping Saddle Pressure Rating is 16 Bar @ 20 degrees C.

## Fast Fit Tapping Saddle Dimensions



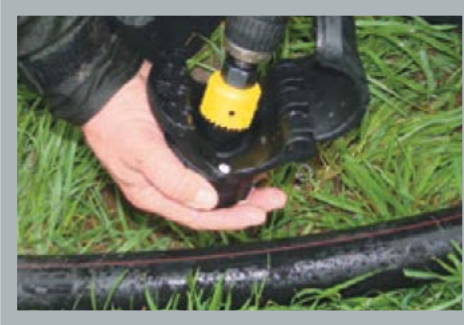
## Fast Fit Tapping Saddle Dimensions

Product Code	Saddle	Pipe	T1 BSPT (DN*)	a mm	b mm	c mm	d mm	e mm	f mm	Recom- mended Spigot Hole Size
HTSMD6350	63 x 50	MD	50mm (2")	83	118	117	78	29	34	35
HTSMD6340	63 x 40	MD	40mm (1 1/2")	83	118	111	72	29	34	35
HTSMD6332	63 x 32	MD	32mm (1 1/4")	83	118	108	69	29	34	35
HTSMD6325	63 x 25	MD	25mm (1")	83	118	104	65	29	34	35
HTSMD6320	63 x 20	MD	20mm (3/4")	83	118	102	63	29	34	35
HTSMD5040	50 x 40	MD	40mm (1 1/2")	68	100	97	66	21	26	28
HTSMD5032	50 x 32	MD	32mm (1 1/4")	68	100	95	64	21	26	28
HTSMD5025	50 x 25	MD	25mm (1")	68	100	91	60	21	26	28
HTSMD4032	40 x 32	MD	32mm (1 1/4")	61	88	85	60	16	21	22
HTSMD4025	40 x 25	MD	25mm (1")	61	88	81	56	16	21	22
HTSMD3225	32 x 25	MD	25mm (1")	50	78	71	51	13	18	19

The Tapping Saddles and Indicator Seals in this catalogue are protected by intellectual property rights owned by the Hansen group of companies in New Zealand, Australia and other countries, including NZ patent 577587 and registered design 412373, Australian patent 2010202392 and registered design 329136 and European Community registered design 001182489-0001.

Specifications and sizes may change without prior notice

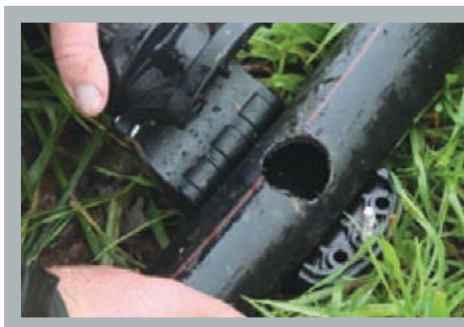
## Fast Fit Tapping Saddle Installation Instructions



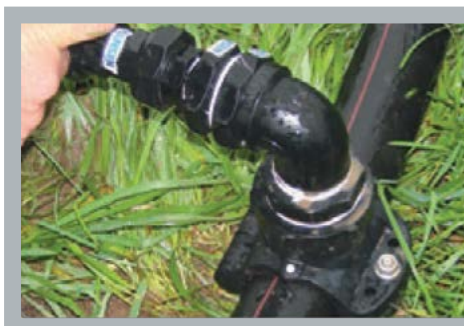
1. Select a hole saw to fit between the min. and max. as marked on the saddle body of your Hansen *Fast Fit* Tapping Saddle.



2. Use the pilot hole located on the base of the Hansen *Fast Fit* Tapping Saddle as a guide to start drilling, then remove the Hansen *Fast Fit* Tapping Saddle and complete the drilling. Clean off the burrs from the pipe.

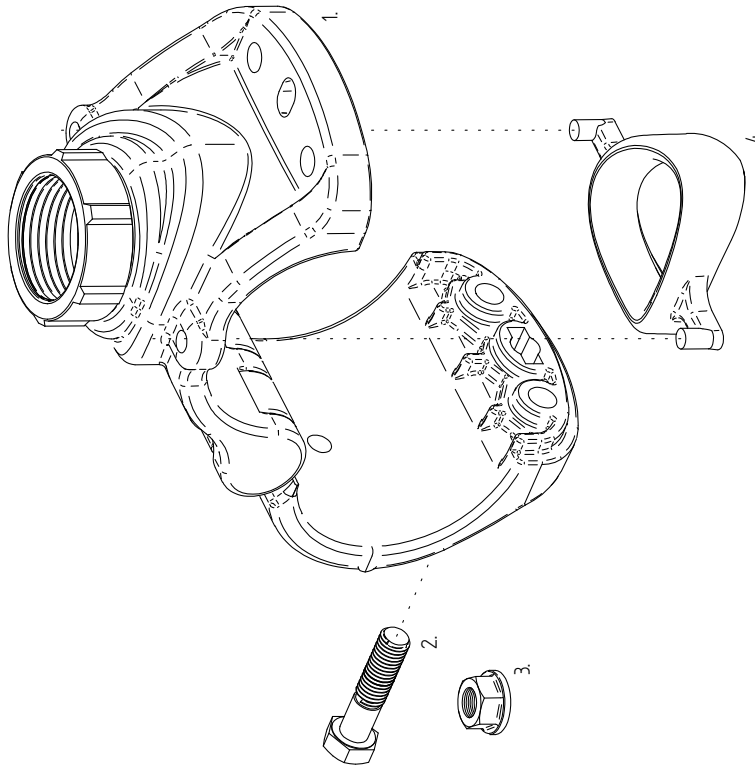
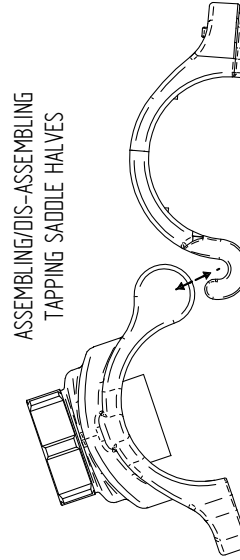
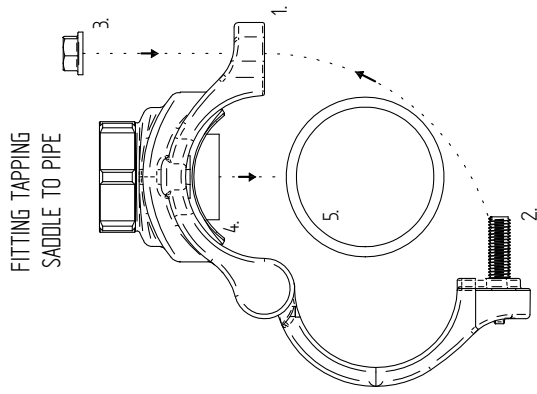


3. Ensure the internal seal is installed. Use the small white spigots to help locate it correctly. Place the Hansen *Fast Fit* Tapping Saddle around the pipe using the saddle spigot to help locate it in the drilled hole. Tighten bolt.



4. When adding additional fittings it is recommended that either a thread sealing paste or thread sealing tape be used on all threaded connections. We recommend LOCTITE 5331.

# Fast Fit Tapping Saddle



Hansen Tapping Saddle		
No.	Product Code	Item Name
1	HTSLD/MD/RB	Hansen Tapping Saddle
2	-	Stainless Steel M8 Bolt
3	-	Stainless Steel Flange Nut
4	HTSSEAL	Hansen Tapping Saddle Seal
5	-	Pipe

## *Fast-Fit* Tapping Saddle Frequently Asked Questions

**Q Often it is hard to know if the seal is in place or if the saddle has moved on the pipe making it impossible to seal. Will the Hansen *Fast Fit* Tapping Saddle fix this problem?**

A The Hansen *Fast Fit* Tapping Saddle covers this in two ways, firstly the spigot stops the possibility of the saddle moving past the hole in the pipe and secondly with the easy to view custom seal spigots you can see at a glance that the seal is in place.

**Q The biggest problem installing saddles is losing parts when working in a trench, especially without much room to move, will the Hansen *Fast Fit* Tapping Saddle fix this problem?**

A Yes because the Hansen *Fast Fit* Tapping Saddle has a hinge and the bolt is fixed, which means you only need two hands to install the Hansen *Fast Fit* Tapping Saddle.

**Q Is one bolt enough to hold the Hansen *Fast Fit* Tapping Saddle securely?**

A Yes, under normal circumstances one bolt is sufficient but in the larger sized saddles there is an additional two holes you can bolt for peace of mind.

**Q What sized hole saw will I need to use when installing the Hansen *Fast Fit* Tapping Saddle?**

A The hole saw size information is marked on the Hansen *Fast Fit* Tapping Saddle body. One easy way to check the size is to test that the hole saw fits over the spigot but inside the seal area.

**Q Will the hinge allow the Hansen *Fast Fit* Tapping Saddle to open wide enough to place around the pipe when working in confined spaces?**

A Yes you will find the Hansen *Fast Fit* Tapping Saddle easy to install in confined spaces because the hinge opens past 180° without losing the hinged connection.