

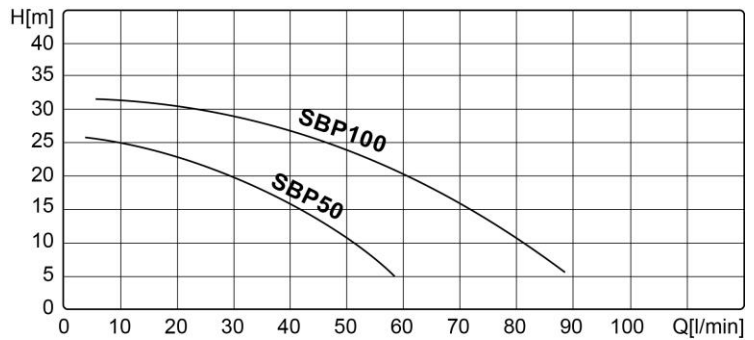
Automatic Silent Booster Pump



The **TUCSON®** SBP **Silent** Booster Pump series is an all-in-one automatic booster pump which combines motor, pump, accumulator, pressure & flow switch, all in one unit.

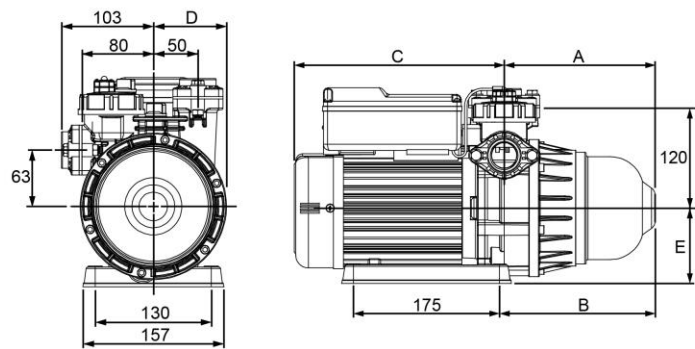
■ **Features SBP100:**

- 1 HP / Max Head: 3.14 bar/32M
- Compact size and easy installation
- Quiet operation, ≤55 dB(A) at 5 metres
- Suitable for domestic water supply, light commercial and irrigation use
- High efficiency multistage centrifugal pump
- Robust construction with corrosion resistant materials
- Dry-run protection
- Integrated flow switch prevents pump from starting under small discharge
- Reliable constant pressure motor controller
- 1" BSP connection



■ **Includes:**

- 1" Spring loaded FI x FI Non Return Valve
- 1" Galvanised Nipple
- 2M cable



■ **Also Available:**

- Booster pump cover

Model	Phase	Voltage (V)	Power		Head (Pressure)		Flow (Capacity)		Pipe Connection		Weight (kg)	Product Dimension (mm)					
			HP	Watt	Rated (M)	Max. (M)	Rated (L/Min)	Max. (L/Min)	mm	Inch		A	B	C	D	E	
SBP50	1	220-240	1/2	400	20	26	32	58	3	25	1	9.5	165	171	230	80	85
SBP100	1	220-240	1	750	25	32	50	88	5	25	1	11.5	182	188	252	82	90

TUCSON® is a registered trademark of



Sanbra Fyffe Ltd (Est 1934), Conex Works, Santry Ave, Dublin 9.
 Tel: +353 1 842 6255 Fax: +353 1 842 6134 Email: Sales@sanbra.ie
www.sanbra.ie



2006/42/EC (Machinery Directive)
 2006/95/EC (Low Voltage Directive)
 2004/108/EC (Electromagnetic Compatibility Directive)